

SMART METER DEFENDER™

RADIATION PROTECTIVE MESH SHEET – INSTALLATION INSTRUCTIONS



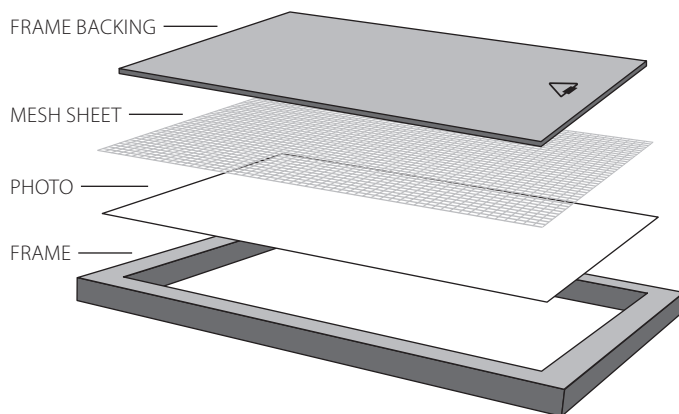
The ERT-charged Mesh Sheet is the optional companion product to GIA's Smart Meter Defender, helping to also combat any potential Smart Meter radiation on the inside of your home. See below on how to properly position and mount your Mesh Sheet:

Conceal

If you prefer, you may conceal the Mesh Sheet inside a decorative frame of your choosing, such as an appropriately sized picture frame from your local arts or framing store. Doing so will not negatively impact the performance of the Mesh Sheet. While the size of the sheet is 8.5" x 11", it may be trimmed down in order to fit smaller frames.

NOTE: Do not trim the sheet to a size smaller than 8" x 8". Doing so will prevent the Mesh Sheet from covering the entire base footprint of the Smart Meter. When trimming the Mesh Sheet, it's recommended that you wear gloves to avoid pricking your fingers on sharp edges of the mesh material.

1. Place the frame on a flat surface with the glass facing down.
2. Remove the backing of your decorative picture frame.
3. Insert a photo, certificate, or piece of artwork into the frame.
4. Insert the Mesh Sheet.
5. Insert the frame backing.
6. Mount the frame to the indoor wall, using the "Position & Mount" instructions to the right.



Position & Mount

Your goal here is to position the Mesh Sheet on your indoor wall, so that it is lined up with the Smart Meter Defender outside. Here are your options:

OPTION 1:

Requires the help of a friend or partner:

1. With the help of a partner, identify the exact location of your Smart Meter, and then mount the Mesh Sheet in the very same spot on the inside of their shared wall.

OPTION 2:

If you are on your own, then:

1. Measure the distance between the center point of your Smart Meter and the corner of the outdoor wall to which it's mounted.
2. Now measure the distance (the height) between the ground and the center point of your Smart Meter. Make sure to write down each measurement.
3. Using the previous measurements, now determine the center point of your Smart Meter on the interior-facing side of that wall. Mark that spot.
4. Align the center point of the Mesh Sheet with the spot that you marked on the interior wall.
5. Mount the Mesh Sheet onto your interior wall using the fastener(s) of your choice (nails, hooks, etc.). If you wish, you may also conceal the Mesh Sheet inside a decorative picture frame (using the "Conceal" instructions to the left). Covering the Mesh Sheet inside a decorative frame will not negatively impact its performance.

